

Series NYSE Stopper cylinders, single acting

Technical details

Operating pressure	2 ... 10 bar
Temperature range	-20°C ... +80°C
Medium	Filtered, oil-free and dried compressed air according to ISO 8573-1:2010, Class 7:2:4, instrument air, free of aggressive additives. Alternatively the pressure dew point must be at least 10°C below lowest occurring ambient temperature.
Materials	Cylinder tube: Al (anodized) End caps: Al (anodized) Piston rod: stainless steel Seals: PU, NBR (optional FKM)



Single acting compact cylinders with magnetic piston, built-in cushioning rings and return spring.

Versions



200, 210
single acting, built-in cushioning rings,
with magnetic piston,
normally extended



The cylinders are suitable as double acting as well.

Order code

Series		Versions	
NYSE	standard	280	standard version, without thread, normally extended
NYSER	with roller		
Piston Ø		Stroke (mm)	
020	20 mm	XXX	standard stroke length
032	32 mm	015	15 mm, for Ø 20 mm
050	50 mm	020	20 mm, for Ø 32 mm
080	80 mm	030	30 mm, for Ø 50 and 80 mm

NYSE*-*-***-*****

Technical data

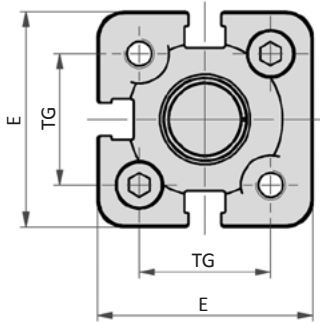
Model-no.:	NYSE*-020-...	NYSE*-032-...	NYSE*-050-...	NYSE*-080-...
Piston Ø (mm)	20	32	50	80
Stroke (mm)	15	20	30	30
Connection	M5	G1/8	G1/8	G1/8
Spring force (N)	min.	28	36	49
	max	36	51	78
Weight (kg)	NYSE	0.20	0.40	1.04
	NYSER	0.24	0.46	1.30

Series NYSE

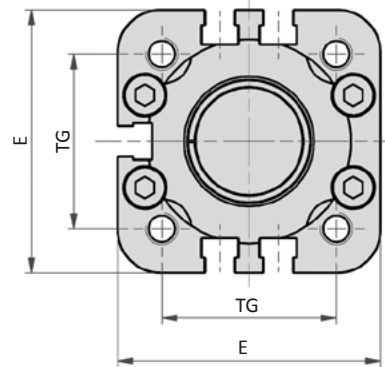
Stopper cylinders, single acting

Dimensions series NYSE and NYSER

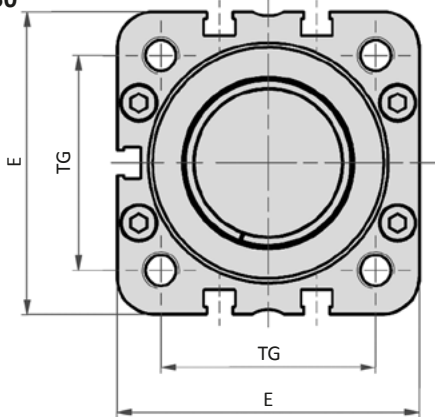
Ø 20



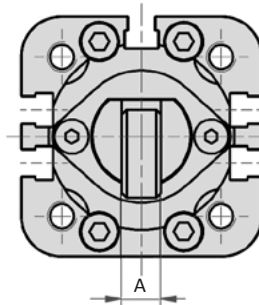
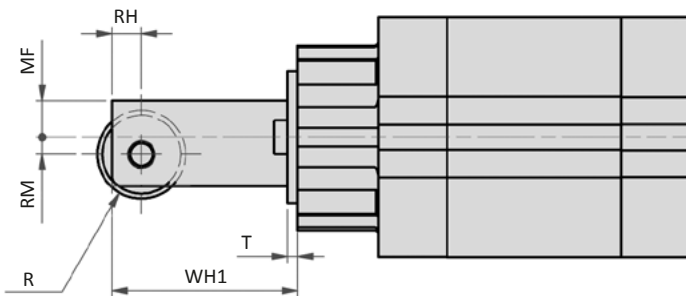
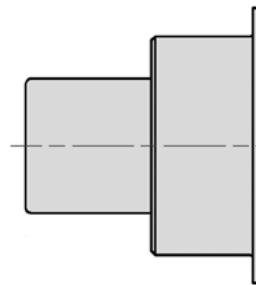
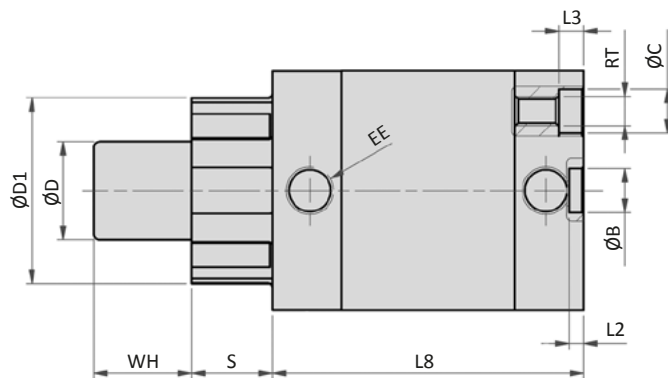
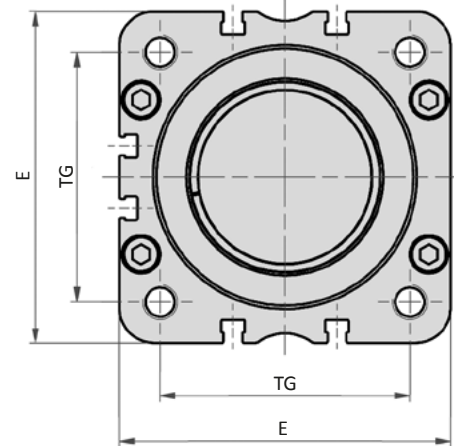
Ø 32



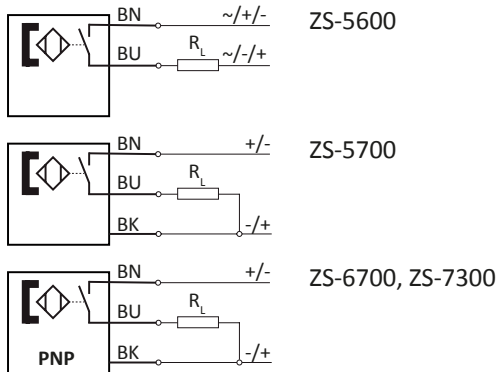
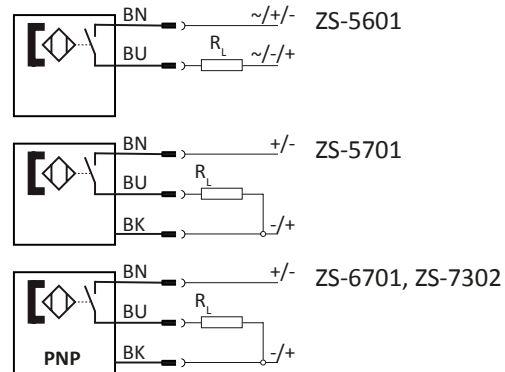
Ø 50



Ø 80



Piston Ø	A	Ø B	Ø C	Ø D	Ø D1	E	EE	L2	L3	L8	MF	R	RH	RM	RT	S	T	TG	WH	WH1
20	4	9	7.5	12	26	36	M5	3	4.5	53	4.5	5	3	2	M5	11.5	2	22	15	24
32	8	9	9	20	38	49	G1/8	3	5	64	7.5	9	6	3.5	M6	16.5	2	32.5	20	38
50	10	12	10.5	32	52	65.5	G1/8	4	5	75	12	12.5	6	7	M8	24.5	2	46.5	30	50.5
80	18	12	13.5	50	76	95.5	G1/8	4	4	126	18	18	10	11	M10	15	3	72	30	63

Proximity sensors with cable

Proximity sensors with plug

Technical data

Model-no.:	ZS-5600	ZS-5601	ZS-5700	ZS-5701
Design				
Contact function	2-pole Reed sensor	2-pole Reed sensor	3-pole Reed sensor	3-pole Reed sensor
Rated operational voltage	5 ... 240 V AC / DC	5 ... 60 V AC / DC	5 ... 30 V DC	5 ... 30 V DC
Rated operational current I_E	3 ... 100 mA	3 ... 100 mA	≤ 500 mA	≤ 500 mA
Max. voltage drop at I_E	≤ 2.5	≤ 2.5	≤ 0.1	≤ 0.1
Breaking capacity	10 W	10 W	10 W	10 W
Cable length	3 m	0.3 m with M8 connection	5 m	0.3 m with M8 connection
Temperature range	-10 ... +70°C	-10 ... +70°C	-10 ... +70°C	-10 ... +70°C
Protection	IP 67	IP 67	IP 67	IP 67
Switching status indication	LED red	LED red	LED yellow	LED yellow

Model-no.:	ZS-6700	ZS-6701	ZS-7300	ZS-7302
Design				
Contact function	3-pole inductive	3-pole inductive	3-pole inductive	3-pole inductive
Output	NO	NO	NO	NO
Rated operational voltage	5 ... 30 V DC	5 ... 30 V DC	10 ... 30 V DC	10 ... 30 V DC
Rated operational current I_E	≤ 200 mA	≤ 200 mA	≤ 100 mA	≤ 100 mA
Max. voltage drop at I_E	≤ 1.0	≤ 1.0	≤ 2.5	≤ 2.5
Breaking capacity	6 W	6 W	3 W	3 W
Cable length	3 m	0.3 m with M8 connection	6 m	0.3 m with M12 connection
Temperature range	-10 ... +70°C	-10 ... +70°C	-20 ... +60°C	-20 ... +60°C
Protection	IP 67	IP 67	IP 67	IP 67
Switching status indication	LED green	LED green	LED yellow	LED yellow
	-	-	II 3G Ex nA T4 II 3D Ex tD A22 IP67 T 125°C	II 3D Ex tc IIIC T125°C Dc X

Series ZS

Proximity sensors

Cable with bushing for proximity sensors

Model-no.:	KA-30	KA-50	KA-51	KA-100	KA-101
Connection	M8, snap-in	M8, snap-in	M8, snap-in	M8, snap-in	M8, snap-in
Version	straight	straight	elbow 90°	straight	elbow 90°
Cable length	3 m	5 m	5 m	10 m	10 m

Mounting

The sensors are mounted at the groove of the cylinder profile. It is fixed by turning the fixing screw at the sensor clockwise. The cover stripe XLB-011 (see below) can be used for protecting the sensor cable.

Cover for sensor groove

Model-no.:	XLB-011
Design	plastic profile, 50 cm length, blue
For series	XL, NXD, NXE, NYD, NYE, NYSE, LX

