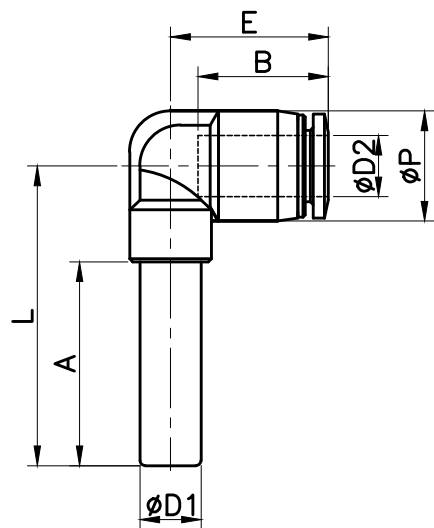


PLJ/C



MODEL	$\phi D1$	$\phi D2$	ϕP	L	E	A	B	ORIFICE	WEIGHT (g)	BOX(EA)
PLJ/C 03	3	3	7.6	21.5	13.3	15.5	11.3	1.4	1.3	—
PLJ/C 04	4	4	8.7	25.0	14.4	18.0	11.8	2.4	1.7	—
PLJ/C 06	6	6	10.8	29.4	15.5	20.0	12.8	4.0	3.0	—